

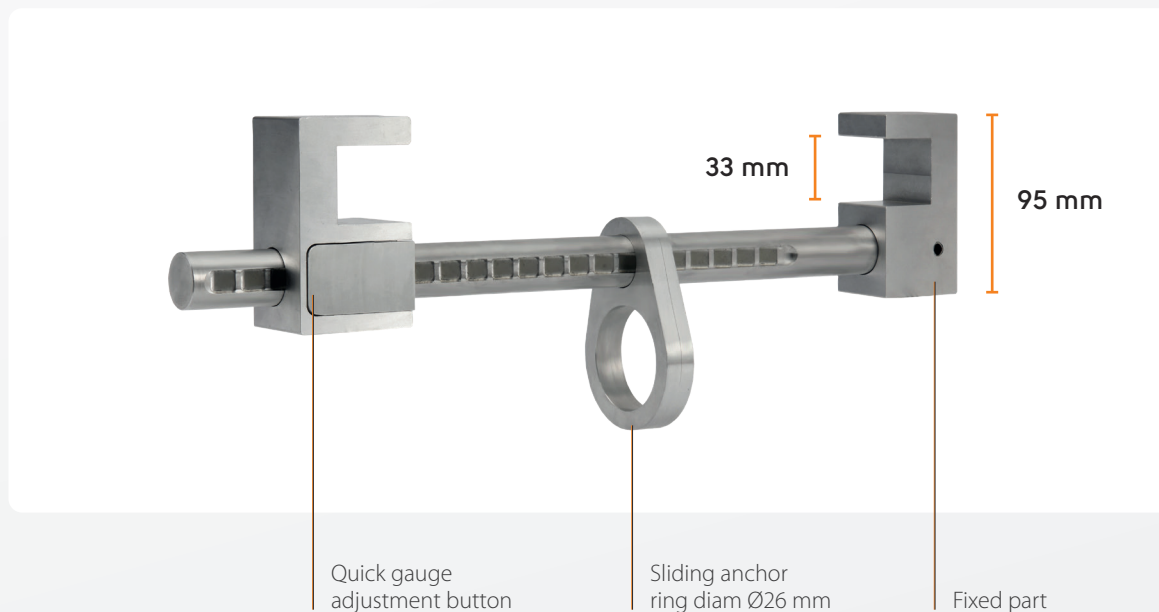
MOBILE AND ADJUSTABLE ANCHOR POINT ON IPN PROFILES IPN'O

REF.
NPAIPN

neofeu.com

FALL PROTECTION ONLY*
*Un seul métier, l'antichute

CERTIFICATION : EN 795 : 2012 Type B - CEN/TS 16415 : 2013 / REGULATION : 2016 / 425



OPENING FROM 100 TO 320 MM

Can be adapted to all types of metal frames
IPN - IPE - HEA - HEB

TECHNICAL SPECIFICATIONS

- Anchoring Ø26 mm
- Opening from 100 to 320 mm
- Material : Aluminium
- Resistance : 12 kN
- Weight : 1,3 kg

USE

Can be used on most of metal frames. Especially suitable for the industry and construction area.

This device is to secure two users.

DESCRIPTION

Transportable anchor point for IPN from 100 to 320 mm. Lightweight with only 1.3 kg it allows by simple lateral pressure to adjust the anchor beam either to the upper part or the lower part of the beam.

