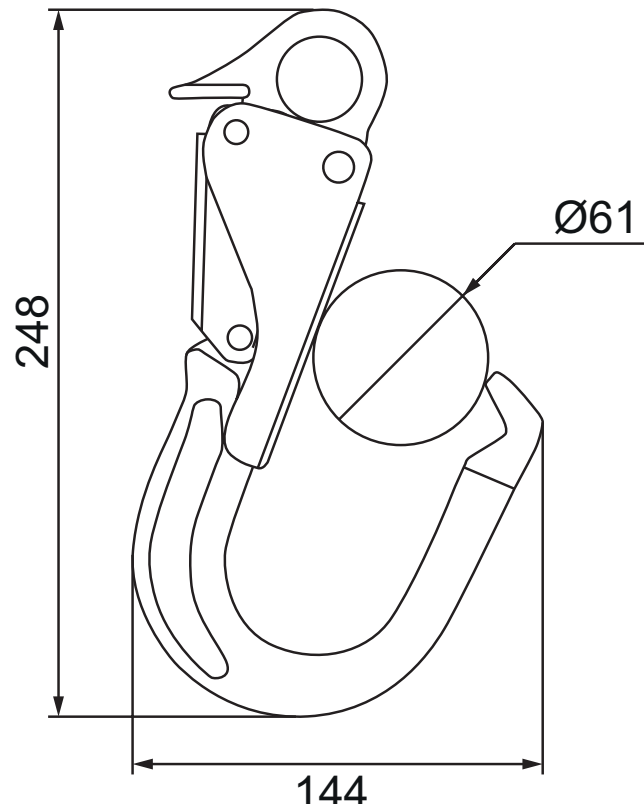


Large Double Action Hook IKV 55

according to EN362:2004, ANSI Z359.12-2019; CSA Z259.12-16



Product information:

Order No:	Material	Connector (BxH)	Opening gate	Load capacity	Weight
4000000055	Aluminium	144 x 248 mm	Ø 61 mm	23 kN	637 g

Features:

Anchor connector (class A)

- Connector which closes automatically, designed to be linked directly to a specific type of anchor as a component. Types of anchors are e.g. an eye-bolt, a pipe or a beam.
- Resistant aluminum alloy, anodized
- Double action: Two independent movements must be carried out for the snap opening. Pressing the thenar and opening the catch. When you release the catch, you close. This is independent by spring loading and thus ensures that the snap is always fully closed.
- Temperature range of application: -40°C bis +50°C

Use:

Retractable lanyards